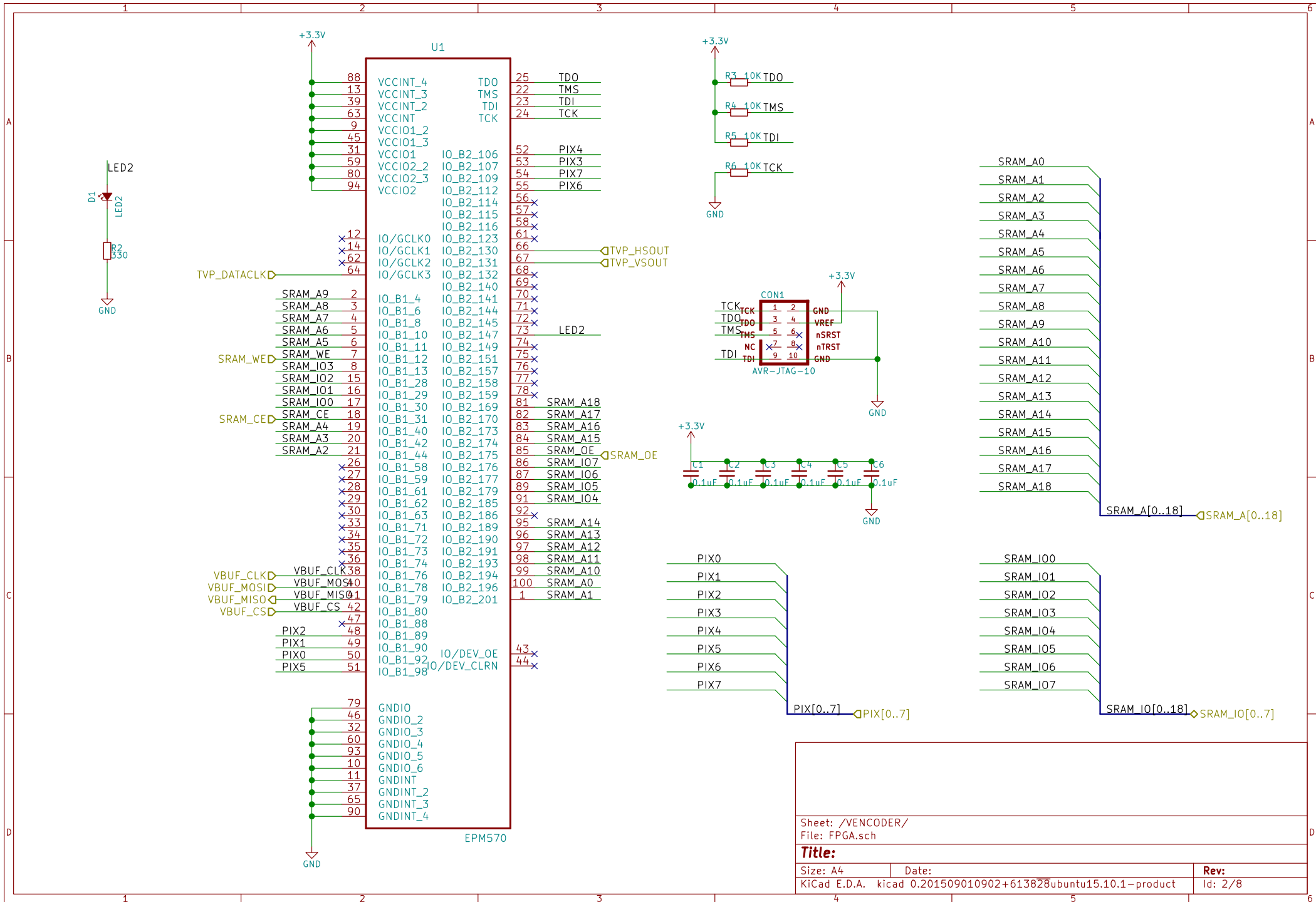


Nexlab di Franco Lanza	
Sheet: /	
File: Rasky_v1.sch	
Title: Rasky v1	
Size: A4	Date: 27 jul 2015
KiCad E.D.A. kicad 0.201509010902+613828ubuntu15.10.1-product	Rev: 1 Id: 1/8

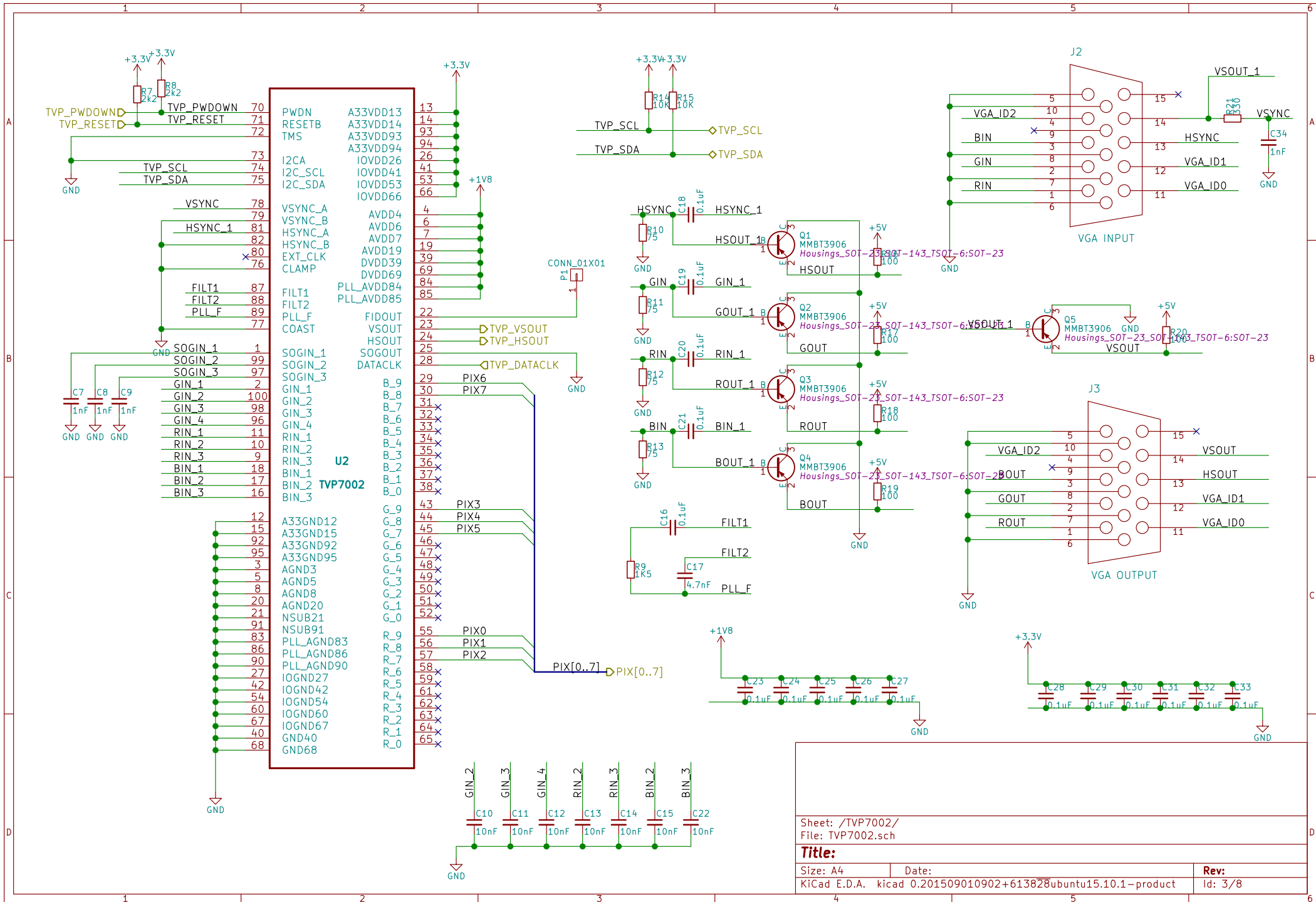


Sheet: /VENCODER/
File: FPGA.sch

Title:

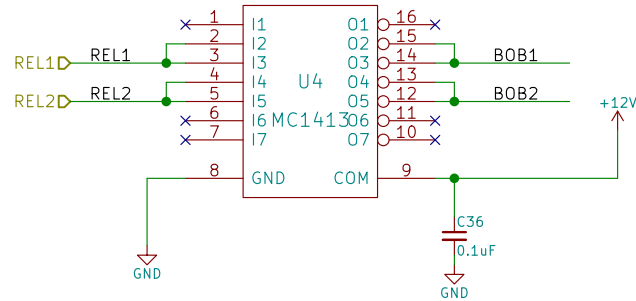
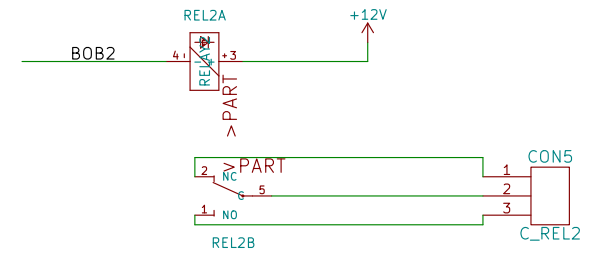
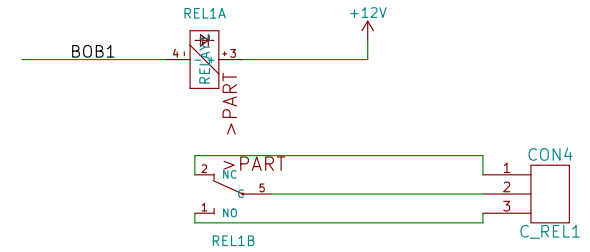
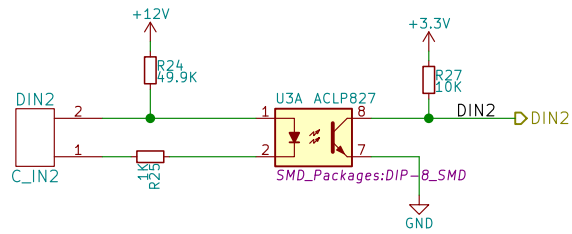
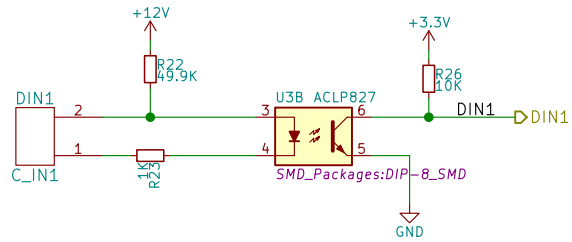
Size: A4 Date: Kicad E.D.A. kicad 0.201509010902+613828ubuntu15.10.1-product

Rev: Id: 2/8



Sheet: /TVP7002/
 File: TVP7002.sch

Title:		Date:	
Size: A4	KiCad E.D.A. kicad 0.201509010902+613828ubuntu15.10.1-product		Rev:
Id: 3/8			

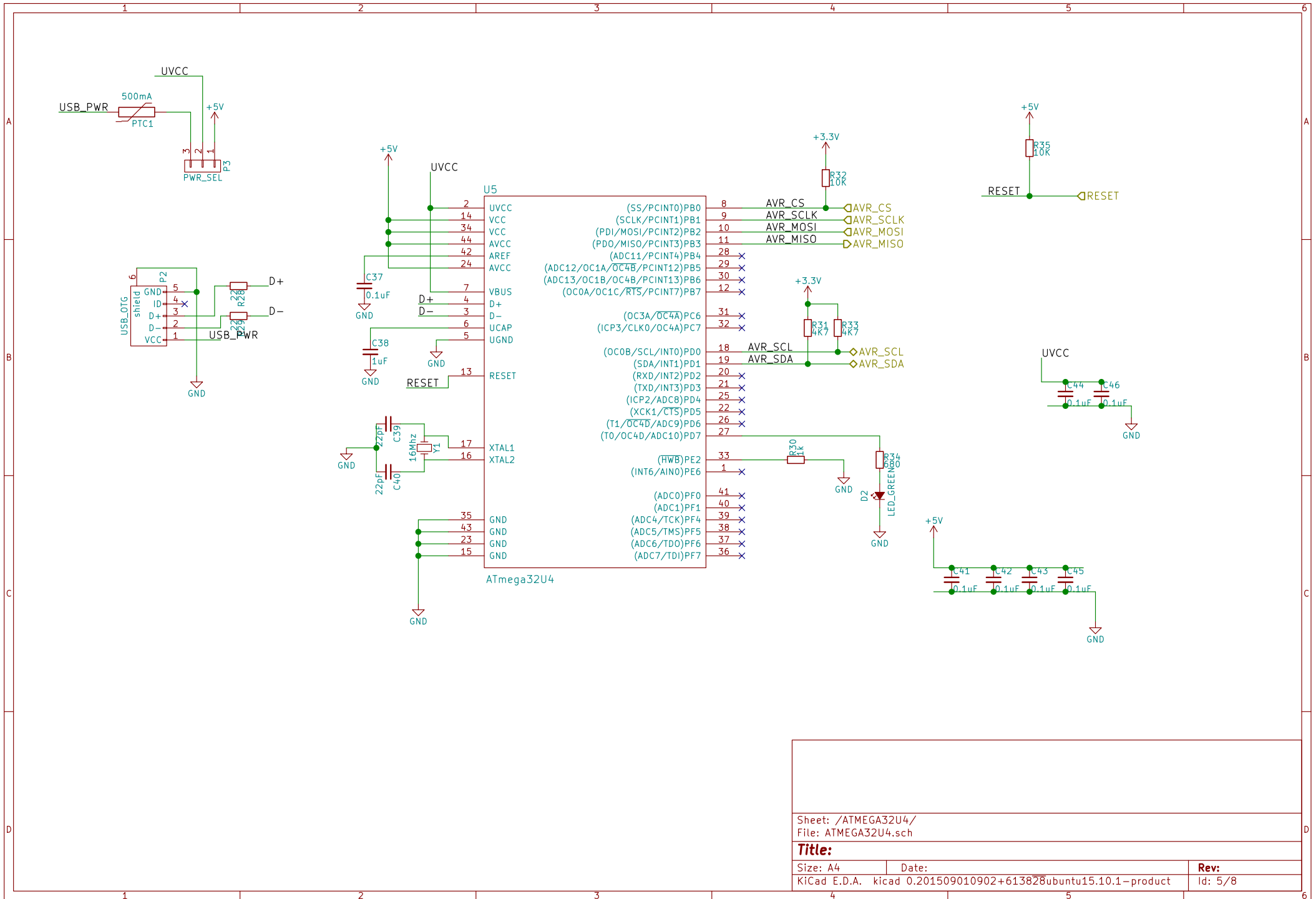


Sheet: /10/
File: IO.sch

Title:

Size: A4 Date: KiCad E.D.A. kicad 0.201509010902+613828ubuntu15.10.1-product

Rev: Id: 4/8

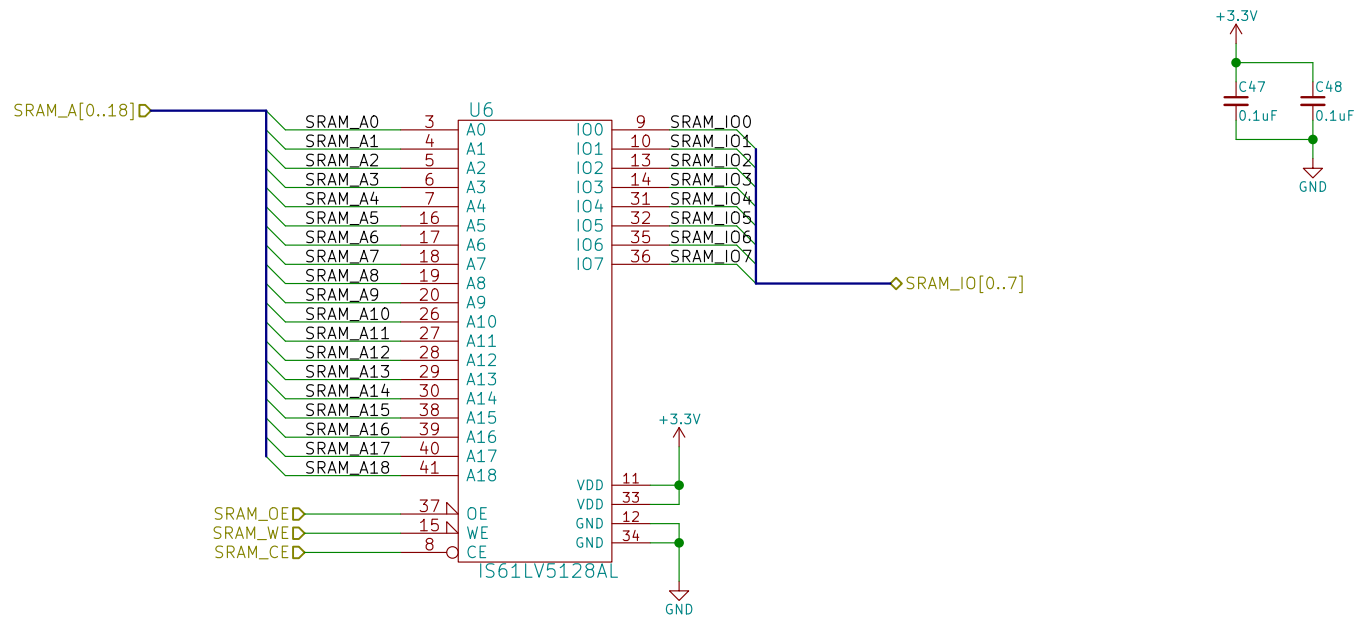


Sheet: /ATMEGA32U4/
File: ATMEGA32U4.sch

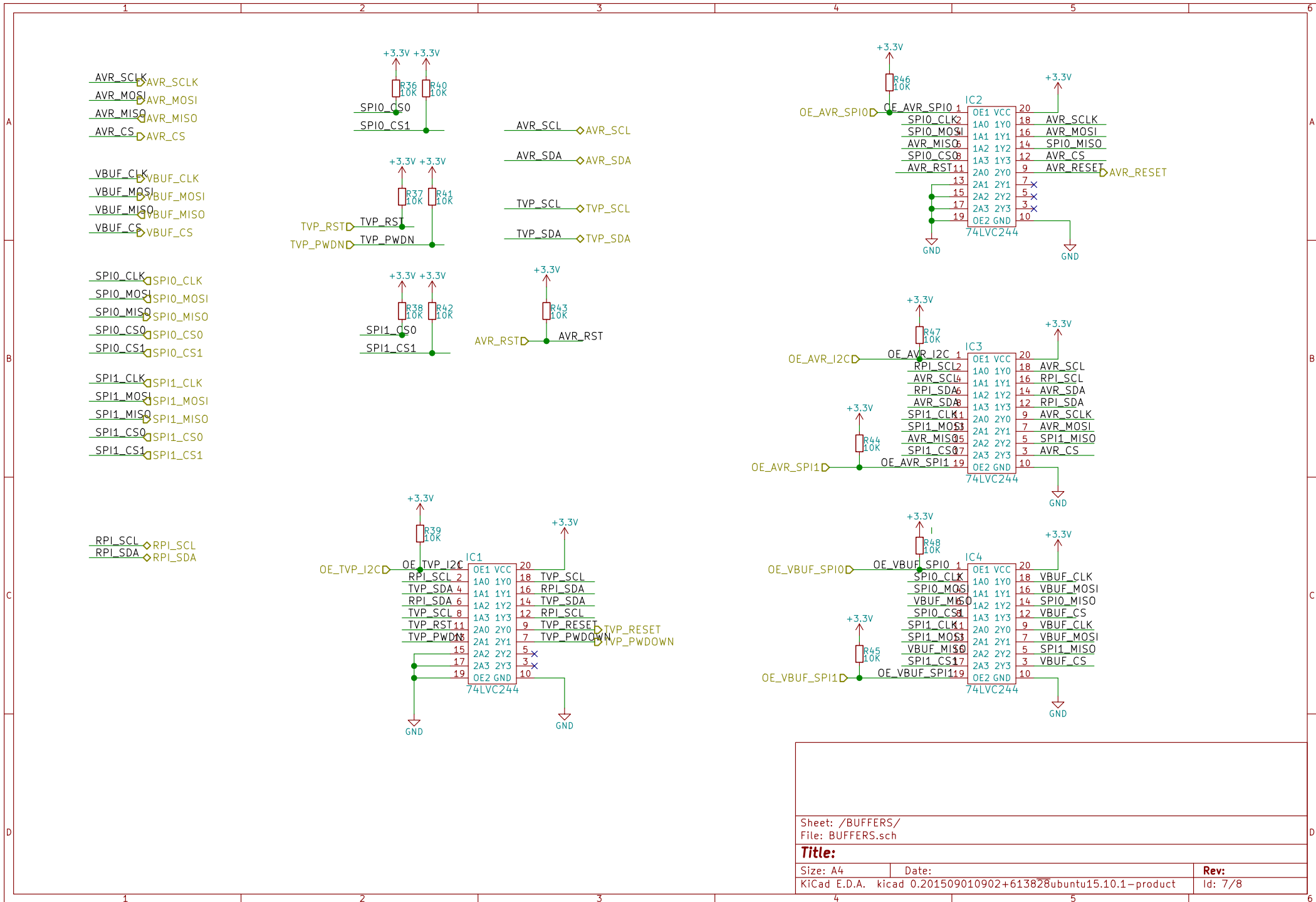
Title:

Size: A4 Date: Kicad E.D.A. kicad 0.201509010902+613828ubuntu15.10.1-product

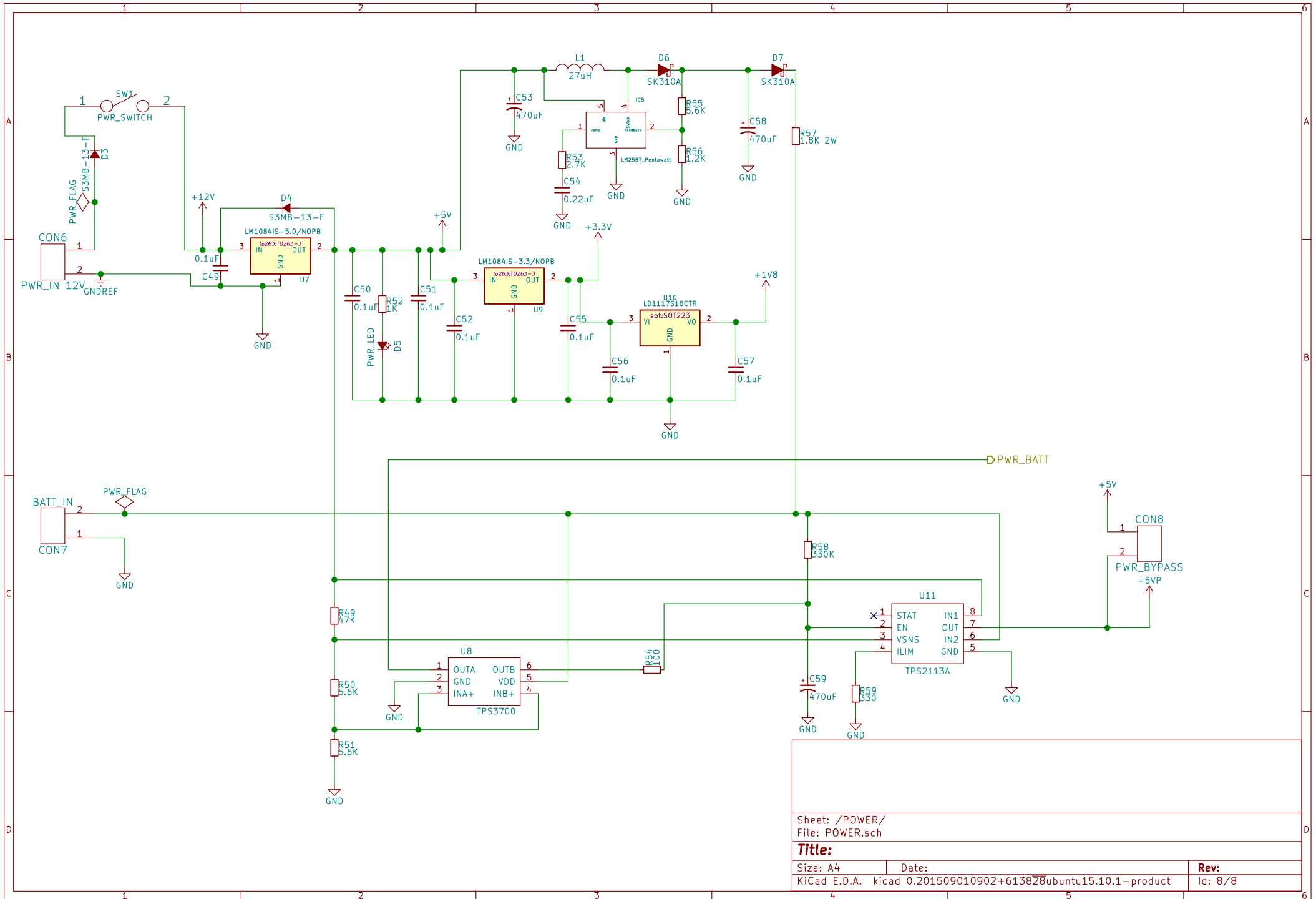
Rev: Id: 5/8



Sheet: /SRAM/		
File: SRAM.sch		
Title:		
Size: A4	Date:	Rev:
KiCad E.D.A. kicad 0.201509010902+613828ubuntu15.10.1-product		Id: 6/8



Sheet: /BUFFERS/		Date:	
File: BUFFERS.sch		Rev:	
Size: A4	KiCad E.D.A. kicad 0.201509010902+613828ubuntu15.10.1-product		Id: 7/8



Sheet: /POWER/
 File: POWER.sch

Title:

Size: A4 Date: _____
 KiCad E.D.A. kicad 0.201509010902+613828ubuntu15.10.1-product Rev: _____
 Id: 8/8